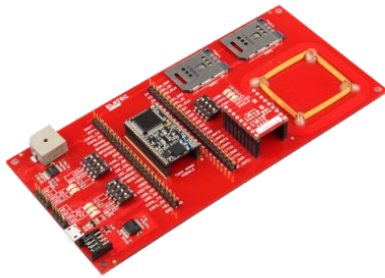
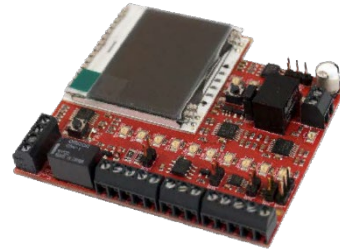


DEVELOPMENT KIT

FOR TWN4 MULTITECH NANO AND NANO LEGIC 42



Development board for TWN4 MultiTech Nano



I/O extender for development board

The TWN4 MultiTech Nano is a device for reading and writing RFID transponders. It can communicate with a large number of transponder types in the frequency ranges of 125 kHz, 134.2 kHz and 13.56 MHz.

The TWN4 MultiTech Nano module development board provides ready-to-use interfaces (USB and UART) and peripherals (low-/high-frequency antennas, SAM Card slots) needed to test the core functionalities of the Nano module. In addition, an I/O extender is offered with a circuitry allowing interaction with CAN, RS-422/485 and Wiegand interfaces. Furthermore, an LCD graphic display (over SPI interface) is contained for applications requiring greater degree of user-interaction as well as for debug purposes.

The I/O extender also offers a generic Clock/Data port, driven through the GPIO of the TWN4 MultiTech Nano module. This generic port can be used to send/receive data in OMRON, Wiegand and other custom formats.

Package contents:

- + Development board
- + TWN4 MultiTech Nano C1 or TWN4 MultiTech Nano LEGIC 42 C1
- + Micro USB cable
- + Lever for TWN4 MultiTech Nano/Nano LEGIC 42
- + 2 x sample tags 125 kHz
- + 2 x sample tags 13.56 MHz
- + I/O extender (optional)



Elevator



EV Chargers



Access



Shop POS



Fitness Equipment



Ticket POS



PC Log-on



Document Management



Driver ID



Vending



Parking



Gaming



Locker Locks



Time Attendance



Industrial PC

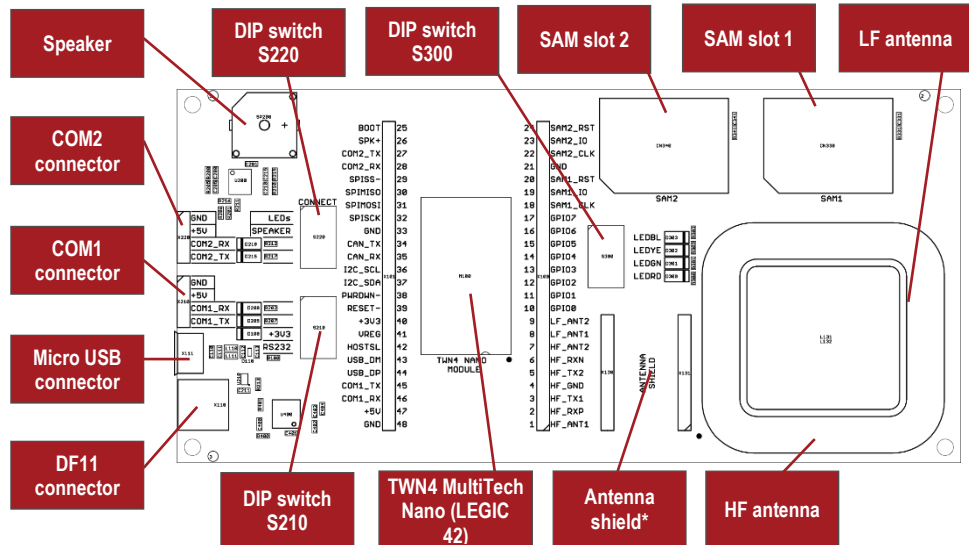
TECHNICAL DATA

ORDER CODE(S)	T4NK-F-PI	Development Kit TWN4 MultiTech-PI Nano (USB cable, transponders: MIFARE, 125 kHz read only)
	T4NM-FDC0	TWN4 MultiTech Nano C0; Direct matched
	T4NM-FDC0-P	TWN4 MultiTech-P Nano C0; Direct matched
	T4NM-FDC0-PI	TWN4 MultiTech-PI Nano C0; Direct matched
	T4NM-FDC1	TWN4 MultiTech Nano C1; Direct matched
	T4NM-FDC1-P	TWN4 MultiTech-P Nano C1; Direct matched
	T4NM-FDC1-PI	TWN4 MultiTech-PI Nano C1; Direct matched
	T4NK-B-P	Development Kit TWN4 MultiTech-P Nano LEGIC 42 (USB cable, transponders: MIFARE, 125 kHz read only)
	T4NM-B5C0	TWN4 MultiTech Nano LEGIC 42 C0; 50 Ohm
	T4NM-B5C0-P	TWN4 MultiTech-P Nano LEGIC 42 C0; 50 Ohm
	T4NM-B5C1	TWN4 MultiTech Nano LEGIC 42 C1; 50 Ohm
	T4NM-B5C1-P	TWN4 MultiTech-P Nano LEGIC 42 C1; 50 Ohm
	T4ND-SX	I/O extender

OVERVIEW

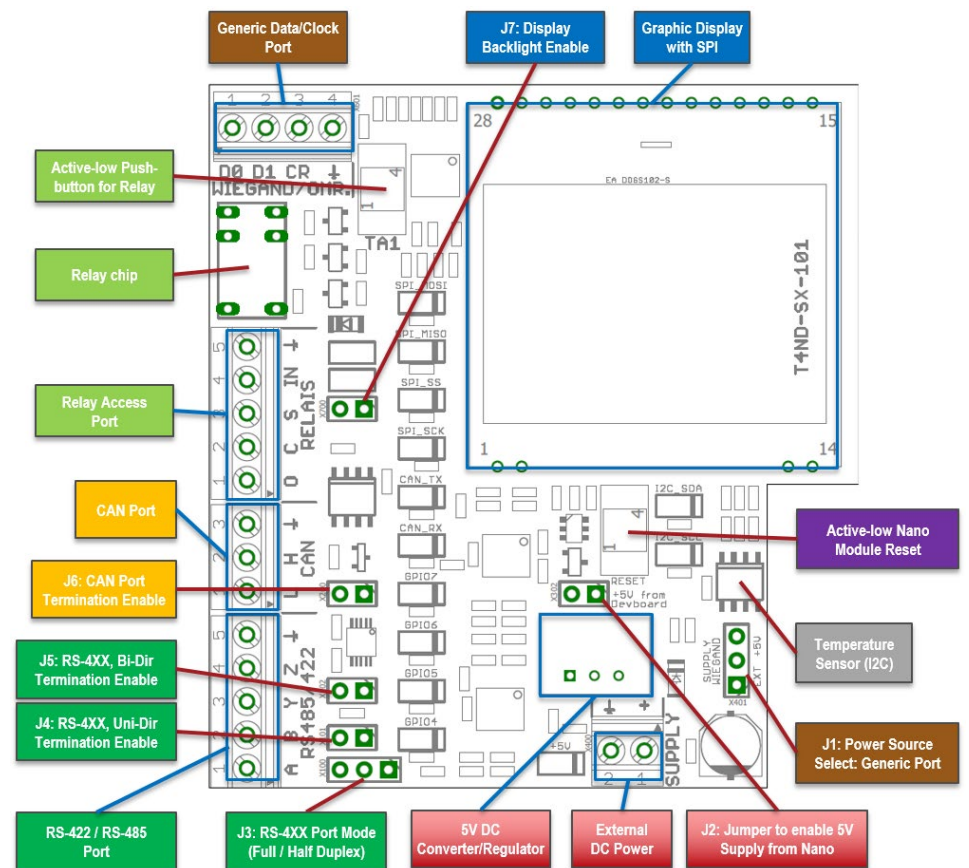
Dimensions of the development board: 154.94 mm x 73.66 mm / 6.1 inch x 2.9 inch

DEVELOPMENT BOARD



Dimensions of the antenna shield: 22.86 mm x 17.78 mm / 0.9 inch x 0.7 inch

I/O EXTENDER



ELATEC GmbH
 Zeppelinstr. 1
 82178 Puchheim • Germany
 P +49 89 552 9961 0 • F +49 89 552 9961 129
 E-Mail: info-rfid@elatec.com
 Website: elatec.com

ELATEC Inc.
 4203 SW High Meadows Ave
 Palm City • FL 34990 • USA
 P +1 772 210 2263 • F +1 772 382 3749
 E-Mail: americas-info@elatec.com
 Website: elatec.com

ELATEC Technology (Shenzhen) LLC
 No. 716 Industrial Bank Tower
 Futian District • Shenzhen • China
 P/F +86 755 2394 6014
 E-Mail: apac-info@elatec.com
 Website: elatec.com

ELATEC reserves the right to change any information or data in this document without prior notice. ELATEC declines all responsibility for the use of this product with any other specification but the one mentioned above. Any additional requirement for a specific customer application has to be validated by the customer himself at his own responsibility. Where application information is given, it is only advisory and does not form part of the specification. Disclaimer: All names used in this document are registered trademarks of their respective owners.