

TWN4 MultiTech

Multi-frequency RFID reader (LF/HF) with NFC support



TWN4 MultiTech
(exemplary illustration)

ELATEC TWN4 family of RFID readers and modules allows users to read and write to almost any 125 kHz and 13.56 MHz tags and/or labels. It supports all major transponders from various suppliers like ATMEL, EM, ST, NXP, TI, HID, LEGIC, etc. and ISO standards like ISO 14443A/B (T=CL), ISO 15693 and ISO 18092 / ECMA-340 (NFC). The new generation is a direct enhancement to the successful TWN3 family as it comes in the same mechanical dimensions (OEM PCB and desktop housing). The readers support host communication via USB or RS-232.

Special features:

- + Possibility to read more than 60 RFID technologies
- + Powerful SDK for writing apps which are executed directly on the reader
- + Firmware update in the field possible
- + On-board 18 kB flash storage, e.g. for storing user accessible non-volatile data
- + Supports transparent data exchange with RFID media
- + CCID and PC/SC 2.01
- + Dedicated expansion bus for connection of LCD, mass storage, etc.



Elevator



EV Chargers



Access



Shop POS



Fitness
Equipment



Ticket POS



PC Log-on



Document
Management



Driver ID



Vending



Parking



Gaming



Locker Locks



Time
Attendance



Industrial
PC

TECHNICAL DATA

FREQUENCIES	125 kHz (LF) / 13.56 MHz (HF)																								
ANTENNAS	Integrated																								
HOUSING	Material: ABS UL94-V0 Color: black or white																								
DIMENSIONS (L X W X H)	Approx. 88.00 x 56.00 x 18.50 mm / 3.46 x 2.20 x 0.73 inch																								
POWER	USB: 4.3 V – 5.5 V RS-232: requires 5 V external power supply PS2 classified power source according to IEC 62368-1, short-circuit current < 8 A																								
CURRENT CONSUMPTION	RF field on: 120 mA typically / Sleep: 500 µA typ.																								
TEMPERATURE RANGE	Operating: -25 °C up to +70 °C (-13 °F up to +158 °F) Storage: -40 °C up to +75 °C (-40 °F up to +167 °F)																								
RELATIVE HUMIDITY	5% to 95% non-condensing																								
READ/WRITE DISTANCE	LF and HF: up to 100 mm / 4 inch, depending on environment and transponder																								
OPERATING MODES (USB)	USB keyboard emulation – USB virtual COM port – CCID / PC/SC 2.01																								
MTBF	500,000 hours																								
WEIGHT	Approx. 120 g / 4.23 oz (with cable)																								
SUPPORTED OPTIONS AND TRANSPONDERS	Depending on the firmware version and installed options, ELATEC readers and modules can support a wide range of RFID technologies. Please refer to the relevant ELATEC transponder matrix (available at www.elatec-rfid.com/int/transponder-technology) for more information about the available options and RFID technologies supported by the product.																								
OS SUPPORT	Windows 7 (32-/64-bit) and higher versions, Linux, Android ¹⁾ , iOS ¹⁾ , MAC OS X ¹⁾																								
PERIPHERAL INTERFACES	USB, RS-232, 2 SAM slots for ID-000 card format																								
TRANSMISSION SPEED	USB full speed (12 Mbit/s), RS-232: up to 115,200 baud, HF Air: up to 848 kbit/s																								
CERTIFICATION NAME	TWN4 MultiTech																								
CERTIFICATIONS	Non-exhaustive list ²⁾ : CE/RED, FCC, IC, REACH and RoHS-III compliant																								
ORDER CODES	<table border="0"> <tr> <td>T4DT-FB2BEL</td> <td>Standard reader, USB cable, black housing</td> </tr> <tr> <td>T4DT-FB2WEL</td> <td>Standard reader, USB cable, white housing</td> </tr> <tr> <td>T4DT-FR2BEL</td> <td>Standard reader, RS-232 cable, black housing</td> </tr> <tr> <td>T4DT-FR2WEL</td> <td>Standard reader, RS-232 cable, white housing</td> </tr> <tr> <td>T4DT-FB2BEL-P</td> <td>Reader with P option, USB cable, black housing</td> </tr> <tr> <td>T4DT-FB2WEL-P</td> <td>Reader with P option, USB cable, white housing</td> </tr> <tr> <td>T4DT-FR2BEL-P</td> <td>Reader with P option, RS-232 cable, black housing</td> </tr> <tr> <td>T4DT-FR2WEL-P</td> <td>Reader with P option, RS-232 cable, white housing</td> </tr> <tr> <td>T4DT-FB2BEL-PI</td> <td>Reader with PI options, USB cable, black housing</td> </tr> <tr> <td>T4DT-FB2WEL-PI</td> <td>Reader with PI options, USB cable, white housing</td> </tr> <tr> <td>T4DT-FR2BEL-PI</td> <td>Reader with PI options, RS-232 cable, black housing</td> </tr> <tr> <td>T4DT-FR2WEL-PI</td> <td>Reader with PI options, RS-232 cable, white housing</td> </tr> </table> <p>The order codes above describe RFID readers equipped with a two-meter-long cable. Contact ELATEC for other cable lengths.</p>	T4DT-FB2BEL	Standard reader, USB cable, black housing	T4DT-FB2WEL	Standard reader, USB cable, white housing	T4DT-FR2BEL	Standard reader, RS-232 cable, black housing	T4DT-FR2WEL	Standard reader, RS-232 cable, white housing	T4DT-FB2BEL-P	Reader with P option, USB cable, black housing	T4DT-FB2WEL-P	Reader with P option, USB cable, white housing	T4DT-FR2BEL-P	Reader with P option, RS-232 cable, black housing	T4DT-FR2WEL-P	Reader with P option, RS-232 cable, white housing	T4DT-FB2BEL-PI	Reader with PI options, USB cable, black housing	T4DT-FB2WEL-PI	Reader with PI options, USB cable, white housing	T4DT-FR2BEL-PI	Reader with PI options, RS-232 cable, black housing	T4DT-FR2WEL-PI	Reader with PI options, RS-232 cable, white housing
T4DT-FB2BEL	Standard reader, USB cable, black housing																								
T4DT-FB2WEL	Standard reader, USB cable, white housing																								
T4DT-FR2BEL	Standard reader, RS-232 cable, black housing																								
T4DT-FR2WEL	Standard reader, RS-232 cable, white housing																								
T4DT-FB2BEL-P	Reader with P option, USB cable, black housing																								
T4DT-FB2WEL-P	Reader with P option, USB cable, white housing																								
T4DT-FR2BEL-P	Reader with P option, RS-232 cable, black housing																								
T4DT-FR2WEL-P	Reader with P option, RS-232 cable, white housing																								
T4DT-FB2BEL-PI	Reader with PI options, USB cable, black housing																								
T4DT-FB2WEL-PI	Reader with PI options, USB cable, white housing																								
T4DT-FR2BEL-PI	Reader with PI options, RS-232 cable, black housing																								
T4DT-FR2WEL-PI	Reader with PI options, RS-232 cable, white housing																								

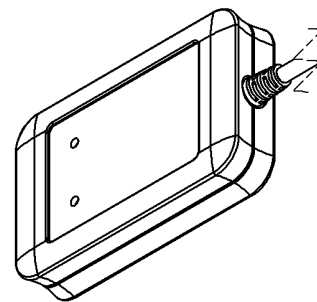
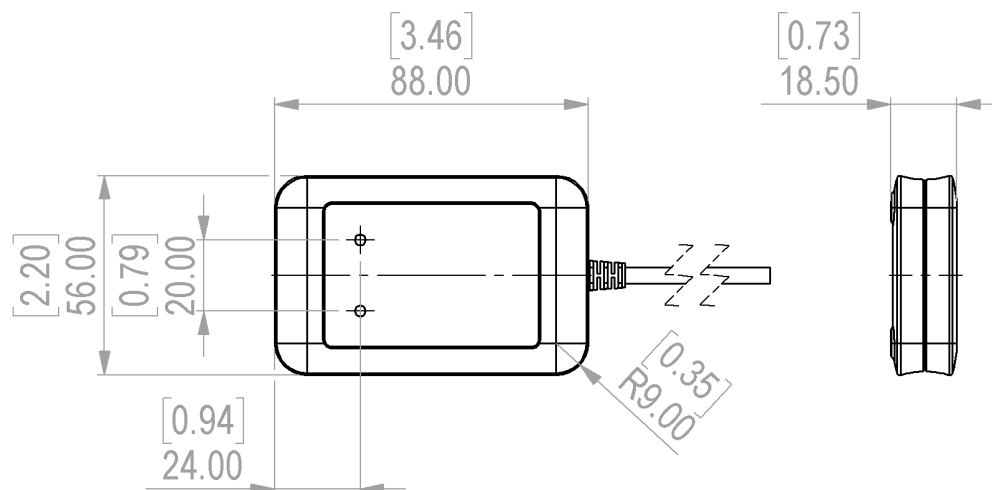
¹⁾On request

²⁾The product has been certified for use in many countries and regions. Contact your Sales representative for detailed information about all certifications and approvals granted to the product.

ACCESSORIES

HOLDERS	HKSI-B	Snap-in holder, black
	HKSI-W	Snap-in holder, white
	HKBR-B	Bracket holder, black
	HKBR-W	Bracket holder, white
POWER SUPPLIES	ELATEC RFID readers and modules can be delivered with additional cables or external power supplies. Refer to the data sheet <i>Cables for ELATEC devices</i> for detailed information.	

TECHNICAL DRAWINGS



All measures in mm [inch]

ELATEC GmbH

Zeppelinstr. 1
82178 Puchheim
Germany
P +49 89 552 9961 0
F +49 89 552 9961 129
E-Mail: info-rfid@elatec.com
Website: elatec.com

ELATEC Systems GmbH

Schwieberdinger Str. 44
71636 Ludwigsburg
Germany
P +49 7141 309736 0
E-Mail: info-rfid@elatec.com
Website: elatec.com

ELATEC Inc.

1995 SW Martin Hwy
Palm City • FL 34990
USA
P +1 772 210 2263
F +1 772 382 3749
E-Mail: americas-info@elatec.com
Website: elatec.com

ELATEC Technology (Shenzhen) LLC

918, Main Building, Tian An Cyber Times
Tower, No. 6, Tairan Fourth Road, Tian 'an
Community, Shatou Neighborhood
Futian District • Shenzhen • China
P/F +86 755 2394 6014
E-Mail: apac-info@elatec.com
Website: elatec.com

ELATEC reserves the right to change any information or data in this document without prior notice. ELATEC declines all responsibility for the use of this product with any other specification but the one mentioned above. Any additional requirement for a specific customer application has to be validated by the customer himself at his own responsibility. Where application information is given, it is only advisory and does not form part of the specification. Disclaimer: All names used in this document are registered trademarks of their respective owners.