

# TWN4 silicone

## Protective enclosure for TWN4 desktop readers



TWN4 MultiTech 2 equipped with a TWN4 silicone  
(exemplary illustration)

The TWN4 silicone is a protective enclosure that can be used as an additional housing covering for all RFID desktop readers of the ELATEC TWN4 MultiTech and TWN4 MultiTech 2 families.

### Special features:

- + Enables to seal and protect the entire RFID reader (IP68 safety class)
- + Easy to clean and ideal for wet and dusty environments
- + Hygiene certificate on request



Elevator



EV Chargers



Access



Shop POS



Fitness  
Equipment



Ticket POS



PC Log-on



Document  
Management



Driver ID



Vending



Parking



Gaming



Locker Locks



Time  
Attendance



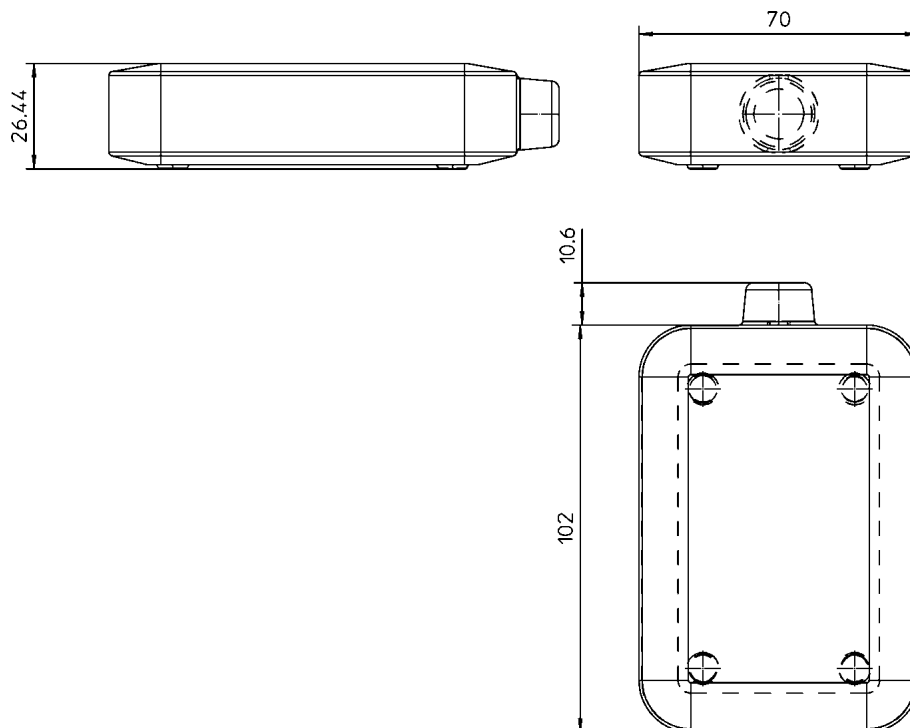
Industrial  
PC

## TECHNICAL DATA<sup>1)</sup>

HOUSING	Safety class: IP68 Material: XIAMETER RBB-6650-50, uncatalyzed silicone rubber base Color: milky white translucent	
DIMENSIONS (L X W X H)	Approx. 112.60 x 70.00 x 26.44 mm / 4.43 x 2.76 x 1.04 inch, plus reader cable length	
TEMPERATURE RANGE	Operating: -25 °C up to +70 °C (-13 °F up to +158 °F) Storage: -40 °C up to +75 °C (-40 °F up to +167 °F)	
WEIGHT	Approx. 40 g / 1.41 oz (additive to the reader weight)	
CERTIFICATIONS	REACH and RoHS-III compliant	
ORDER CODES	T4BT-FB2WEL7-M	TWN4 MultiTech 2 desktop reader (standard configuration), USB cable (2.00 m), white housing, incl. TWN4 silicone
	T4BT-FB2WEL2-MLCCID	TWN4 MT2 HF CCID, USB, white, silicone protective
	T4BT-FB2WEL6-M	TWN4 MultiTech 2 LF HF desktop reader (standard configuration), USB cable (2.00 m), white housing, incl. TWN4 silicone
	T4BT-FB2WEL6-PIM	TWN4 MultiTech 2 LF HF desktop reader (with PI options), USB cable (2.00 m), white housing, incl. TWN4 silicone
	The TWN4 silicone is available by default with the desktop readers listed above. Upon request, other readers can also be delivered with the TWN4 silicone.	

<sup>1)</sup>Please also refer to the relevant data sheet of the TWN4 desktop reader used with the TWN4 silicone.

## TECHNICAL DRAWINGS



All measures in mm

### ELATEC GmbH

Zeppelinstr. 1  
82178 Puchheim  
Germany  
P +49 89 552 9961 0  
F +49 89 552 9961 129  
E-Mail: [info-rfid@elatec.com](mailto:info-rfid@elatec.com)  
Website: [elatec.com](http://elatec.com)

### ELATEC Systems GmbH

Schwieberdinger Str. 44  
71636 Ludwigsburg  
Germany  
P +49 7141 309736 0  
E-Mail: [info-rfid@elatec.com](mailto:info-rfid@elatec.com)  
Website: [elatec.com](http://elatec.com)

### ELATEC Inc.

1995 SW Martin Hwy  
Palm City • FL 34990  
USA  
P +1 772 210 2263  
F +1 772 382 3749  
E-Mail: [americas-info@elatec.com](mailto:americas-info@elatec.com)  
Website: [elatec.com](http://elatec.com)

### ELATEC Technology (Shenzhen) LLC

918, Main Building, Tian An Cyber Times  
Tower, No. 6, Tairan Fourth Road, Tian 'an  
Community, Shatou Neighborhood  
Futian District • Shenzhen • China  
P/F +86 755 2394 6014  
E-Mail: [apac-info@elatec.com](mailto:apac-info@elatec.com)  
Website: [elatec.com](http://elatec.com)

ELATEC reserves the right to change any information or data in this document without prior notice. ELATEC declines all responsibility for the use of this product with any other specification but the one mentioned above. Any additional requirement for a specific customer application has to be validated by the customer himself at his own responsibility. Where application information is given, it is only advisory and does not form part of the specification. Disclaimer: All names used in this document are registered trademarks of their respective owners.